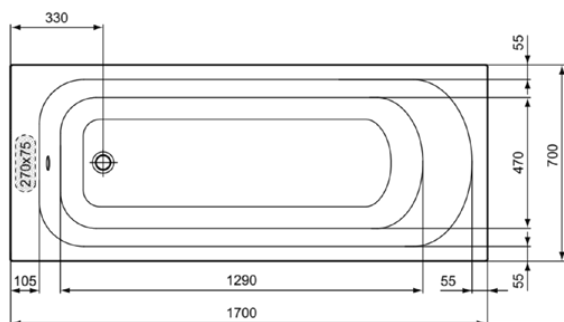
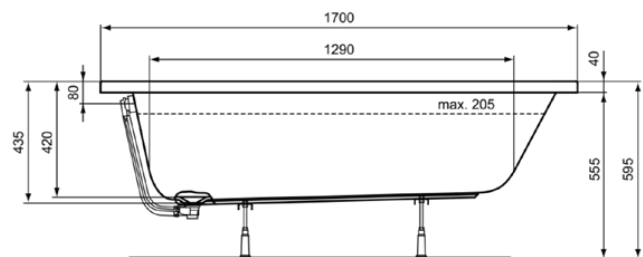


SIMPLICITY

W004401

SIMPLICITY | Regular bath 1700x700x435 mm in white glossy finish, no tap hole, with overflow | Detergent resistant, Light resistant

Image & drawing



General information

Sub product type	Regular bath
Brand	Ideal Standard
Suite name	SIMPLICITY
Colour code	01
Colour description	White Glossy
Surface finish effect	glossy
Height (mm)	435
Width (mm)	1700
Length / Projection (mm)	700
EAN code	3800828025516
Net weight (kg)	17.00

Features



Detergent resistant



Light resistant

Downloads

- [Installation Guide](#)

Product standard & certifications

Additional standards	EN 14516
DoP classification	CL1+CL2CA-DA

Product specifications

With overflow	Yes
With handle(s)	No
Amount of tap holes	0
Material quality	Acrylic
Reinforcement	Glasfibre reinforcement (GRP)
Integrated arm supports	No
Location of waste hole	Foot end
Space-saving model	No
Amount of usage locations	1
PVD technology	No
IdealPlus technology	No