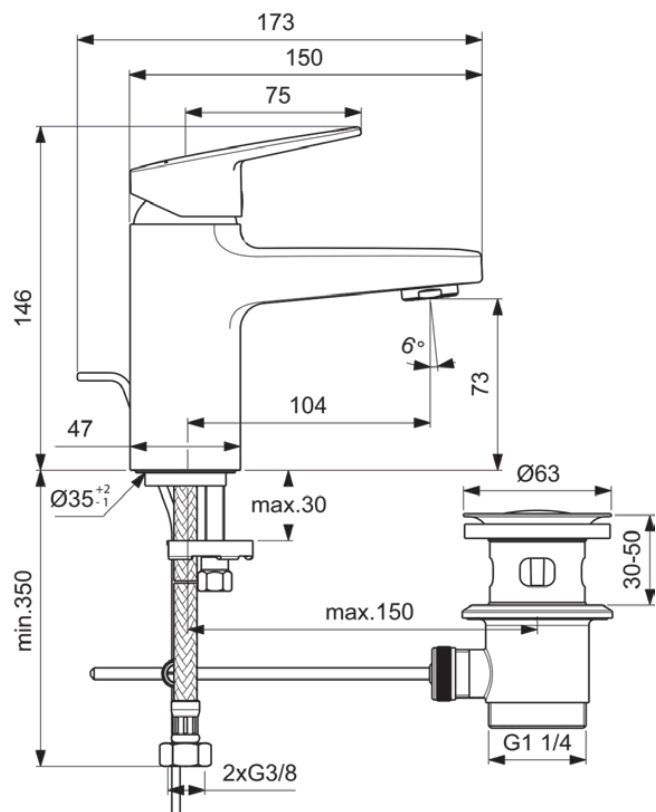


CERAPLAN

BD214AA

CERAPLAN | Basin mixer 47x104x146 mm in chrome finish | EasyFix, NF certified, EPD, SmartShine

Image & drawing



General information

Sub product type	Basin mixer
Brand	Ideal Standard
Suite name	CERAPLAN
Colour code	AA
Colour description	Chrome
Surface finish effect	glossy
Height (mm)	146
Width (mm)	47
Length / Projection (mm)	173
Fixing method	EasyFix
EAN code	3800861103554
VVS	702061304
With EPD	Yes
Net weight (kg)	1.50

Features



EasyFix



NF certified



EPD



SmartShine

Downloads

- [BIM-UK](#)
- [EPD](#)
- [Declaration of Conformity](#)
- [Installation Guide](#)
- [Spare Parts List](#)

Product standard & certifications

Additional standards	DIN EN 248 DIN 4109-1 DIN EN 817
NF certificate name	E00 CH2 A3 U3 - I
KIWA certificate name	K99067/14
ACS certificate name	21 ACC LY 068_223

Product specifications

With handle(s)	Yes
Amount of handles	1
Handle position	Top
Amount of tap holes	1
With outlet	Yes
Spout model	Fixed
Tap outlet model	Aerator
Tap outlet adjustable	No
Tap outlet visibility	Visible
Spout material	Cast
With escutcheon(s)	No
Surface cover	chromium-plated
SmartShine	Yes



Ideal Standard

min. operating pressure (kPa)	50
PVD technology	No
IdealPlus technology	No