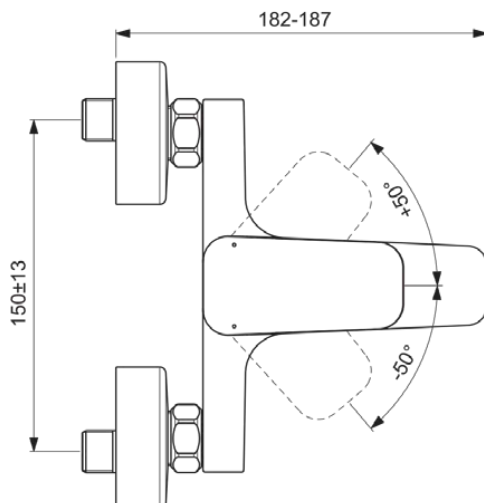
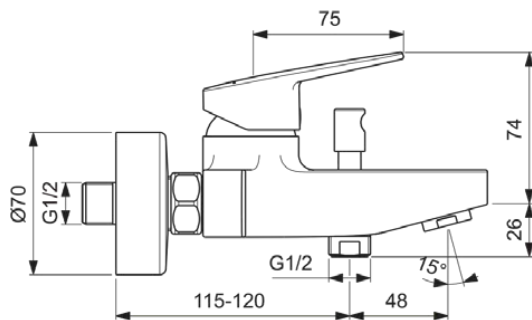


CERAPLAN

BD256AA

CERAPLAN | Exposed bath & shower mixer 163x79 mm in chrome finish | NF certified, EPD, SmartShine

Image & drawing



General information

Sub product type	Exposed bath & shower mixer
Brand	Ideal Standard
Suite name	CERAPLAN
Colour code	AA
Colour description	Chrome
Surface finish effect	glossy
Height (mm)	79
Length / Projection (mm)	182
EAN code	3800861103974
With EPD	Yes
Net weight (kg)	2.39

Features



NF certified



EPD



SmartShine

Downloads

- [BIM-UK](#)
- [Installation Guide](#)
- [EPD](#)
- [Spare Parts List](#)
- [Declaration of Conformity](#)

Product standard & certifications

NF certificate name	E3/1 C2 A2 U3 - ID/A
DVGW certificate name	DW-6506DN0710
ACS certificate name	22 ACC LY 378_706

Product specifications

Amount of escutcheon(s)	2
With handle(s)	Yes
Amount of handles	1
Handle position	Top
Type of handle	Lever
With outlet	Yes
Spout model	Fixed
Tap outlet model	Aerator
Tap outlet visibility	Visible
Spout material	Cast
Low-pressure model	No
With escutcheon(s)	Yes
Shape of escutcheon(s)	Round
With diverter unit	Yes
Material of body	Brass
Surface cover	chromium-plated
SmartShine	Yes



Ideal Standard

With head shower	No
With shelve(s)	No
Shower hose connection thread	G 1/2
min. operating pressure (kPa)	50
With handspray set	No
With shower kit	No
Cool Body technology	No
With S-couplings	Yes
PVD technology	No
IdealPlus technology	No
Max. flow rate at 300 kPa (l) for all outlets	13/20
Max. flow rate at 300 kPa (l)	20